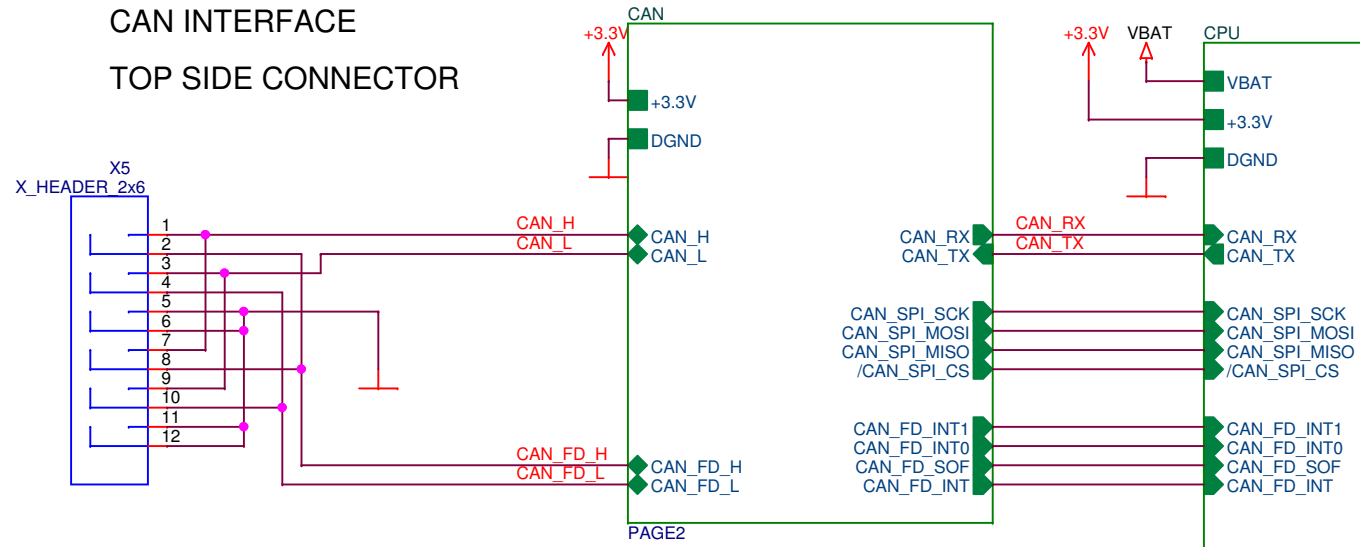
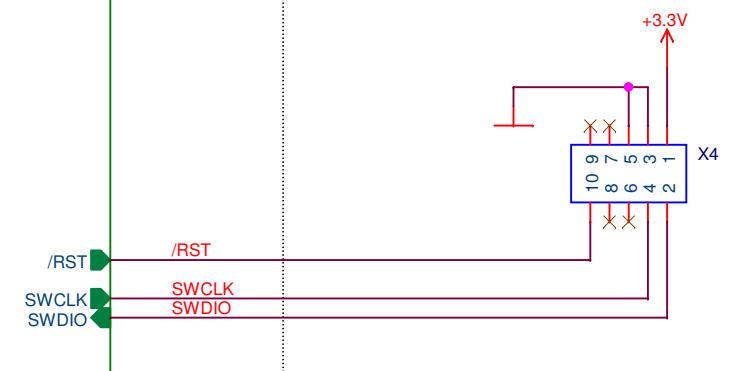


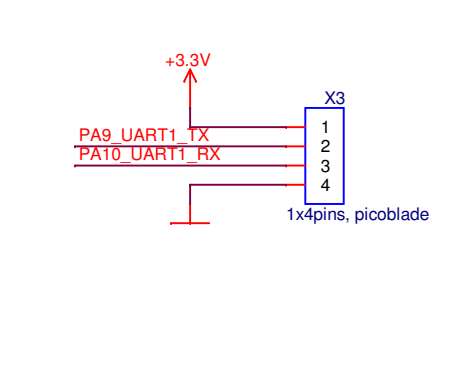
CAN INTERFACE
TOP SIDE CONNECTOR



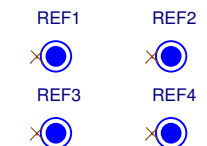
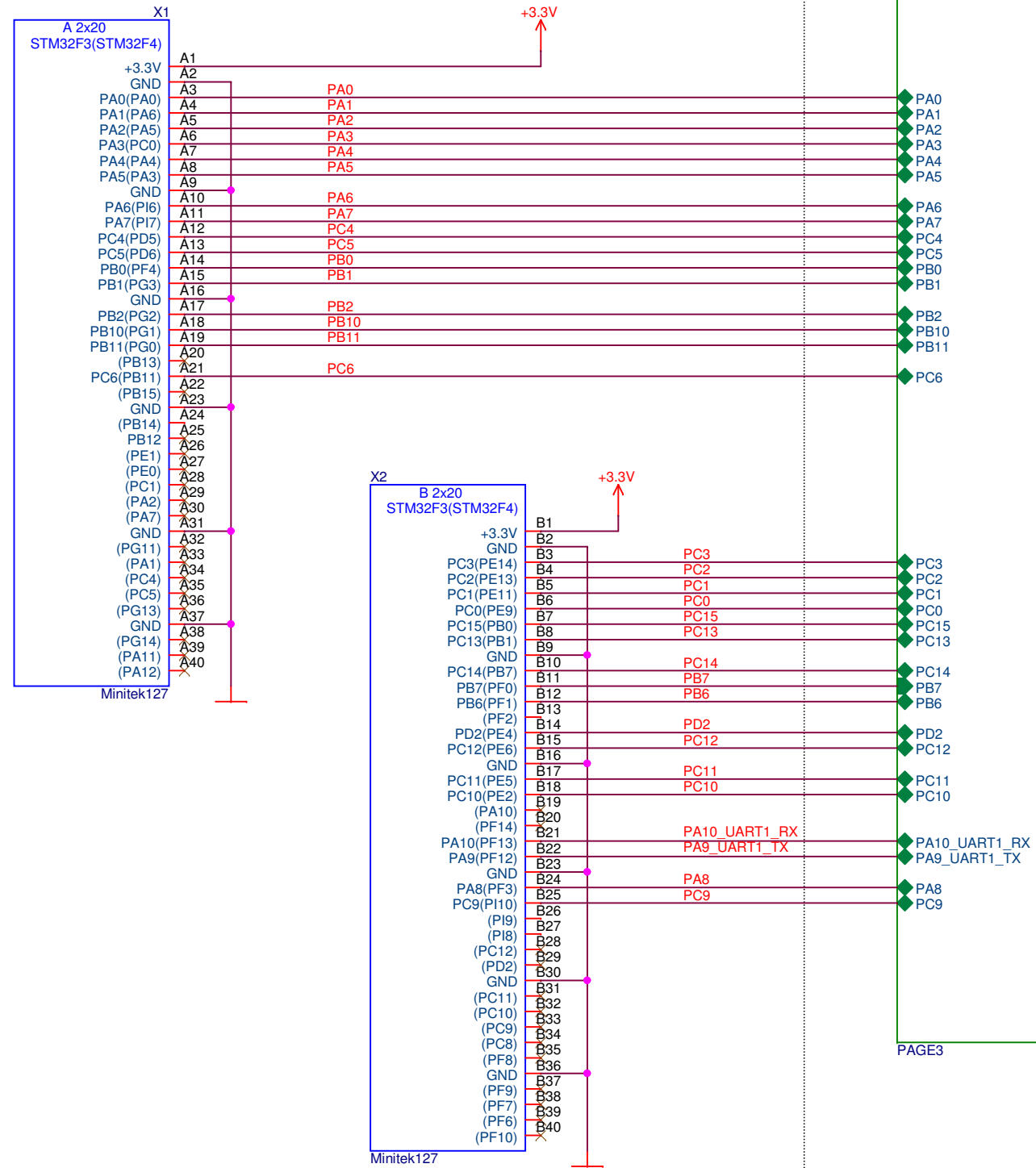
JTAG



DEBUG UART



INTERFACE FOR FUNCTION BOARD
BOTTOM SIDE CONNECTOR

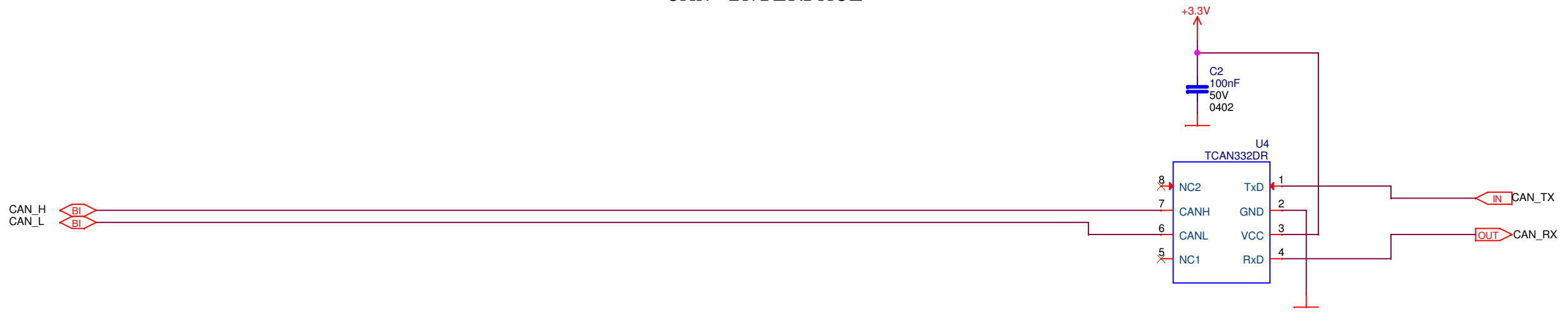


Rev no	Rev desc	Sign	Date
Rev E		BRVPLI	20180425

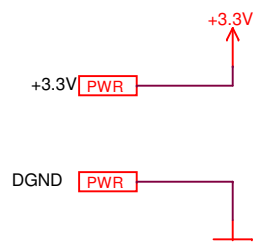
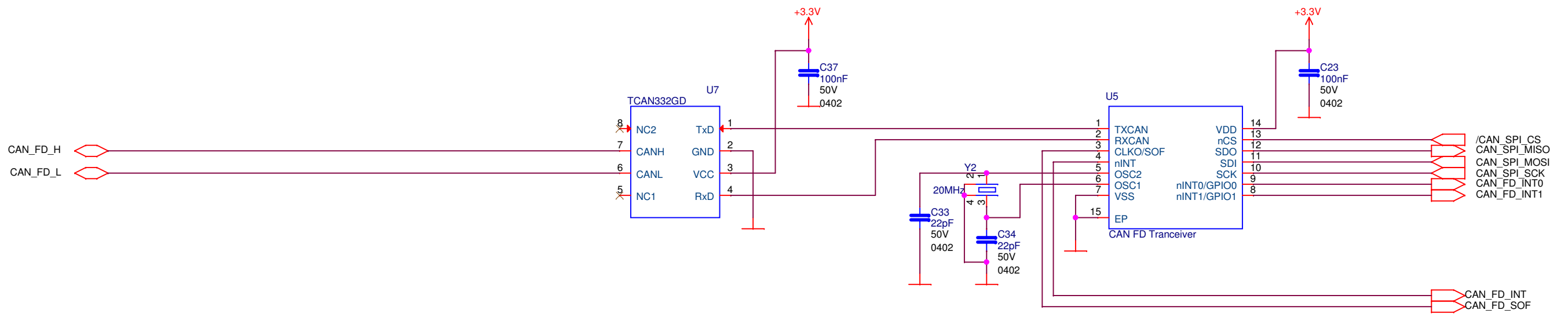
VOSS
Ingenjörfirma AB
Br.Voss Ingenjörfirma AB
Skaraborgsvägen 21
506 30 Borås
Tel. 033-10 84 00

Page Name		Variant Name	
TOP		BOOT	
Design Name		Checked	
SCHEMATIC		BRV/	
Size	Document Number/Description	Designed	Rev
A3	CPU-NOD F3		E
Date	Thursday, April 26, 2018	Sheet	1 of 3

CAN INTERFACE



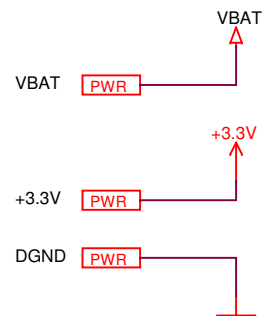
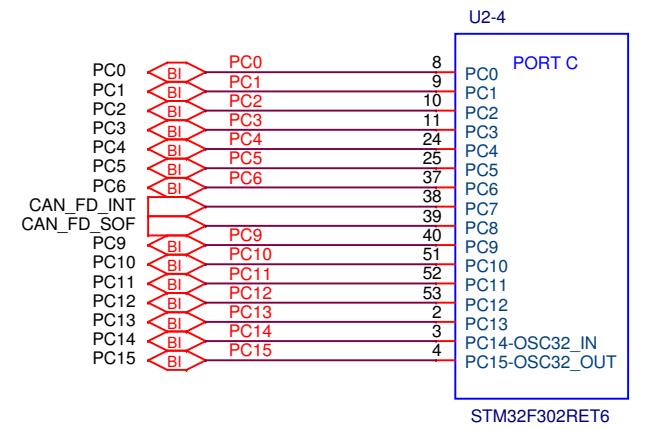
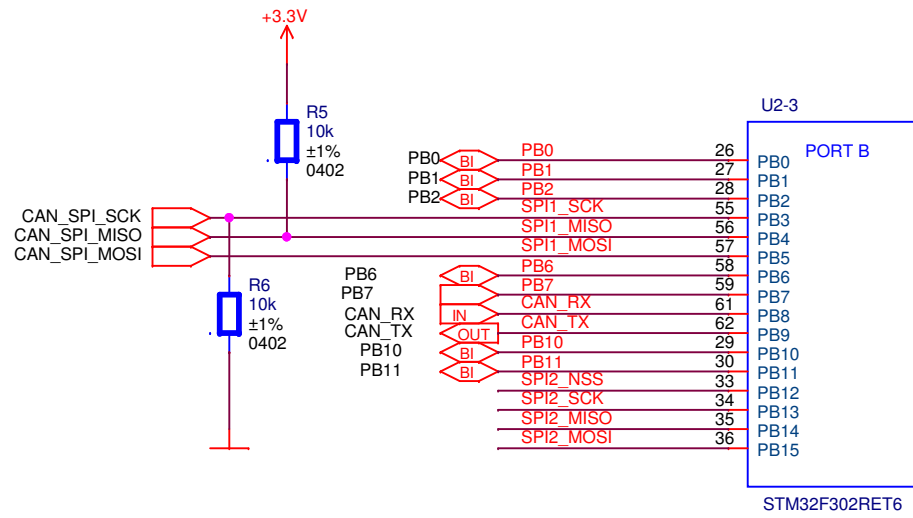
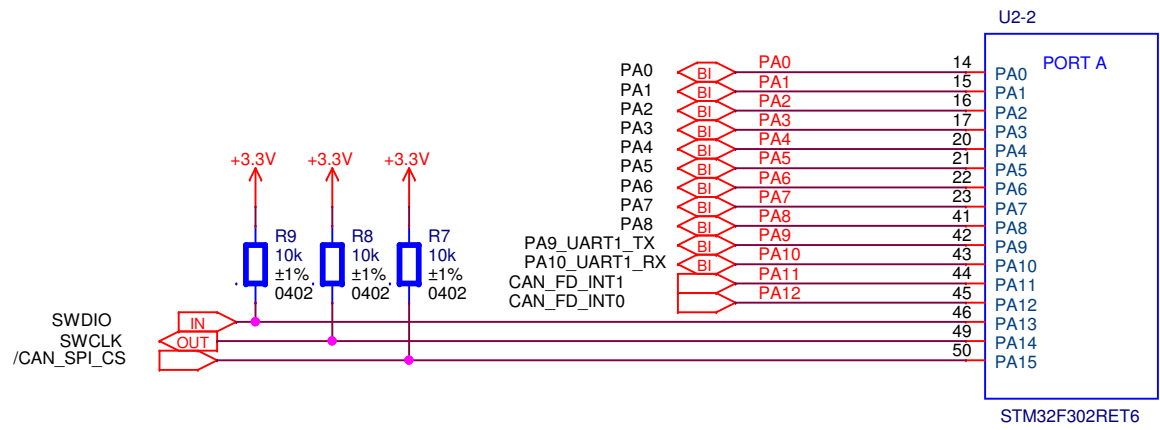
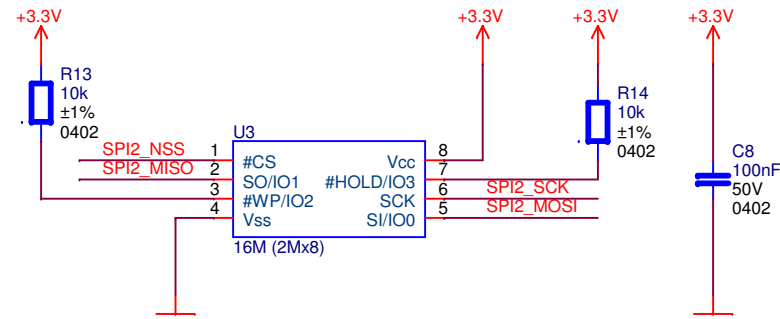
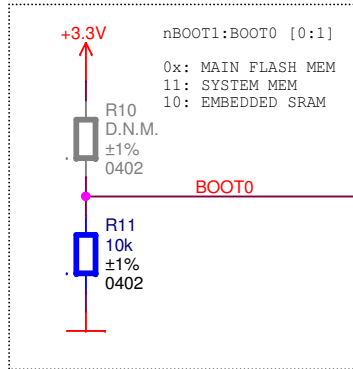
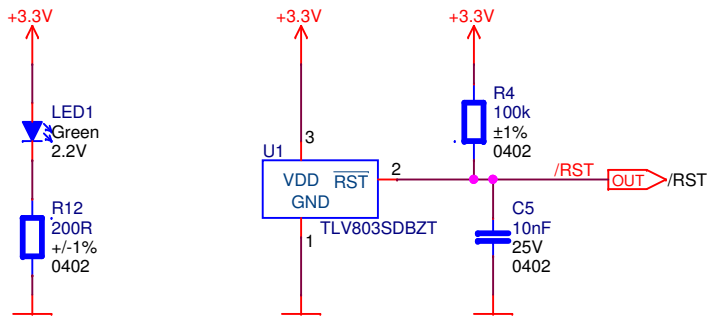
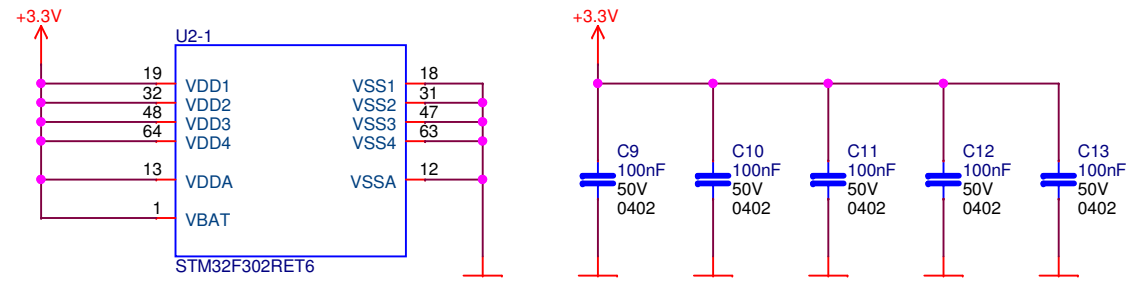
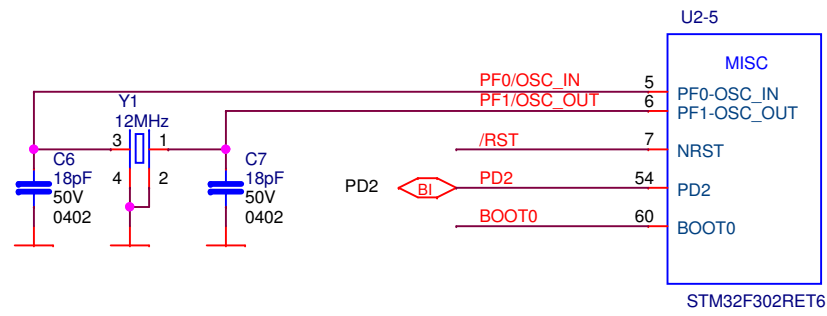
CAN FD INTERFACE



Rev no-Rev desc	Sign	Date
Rev E	BRV/PLI	20180425

VOSS
 Ingenjörfirma AB
 Br.Voss Ingenjörfirma AB
 Skaraborgsvägen 21
 506 30 Borås
 Tel. 033-10 84 00

Page Name CAN		Variant Name BOOT	
Design Name SCHEMATIC		Designed BRV/	Checked BRV/
Size A3	Document Number/Description CPU-NOD F3	Date Thursday, April 26, 2018	Rev E
Date		Sheet 2	of 3



Rev no	Rev desc	Sign	Date
Rev E		BRV/PLI	20180425



Page Name		Variant Name	
CPU		BOOT	
Design Name		Checked	
SCHEMATIC		BRV/	
Size	Document Number/Description	Designed	Rev
A3	CPU-NOD F3	BRV/	E
Date	Thursday, April 26, 2018	Sheet	3 of 3